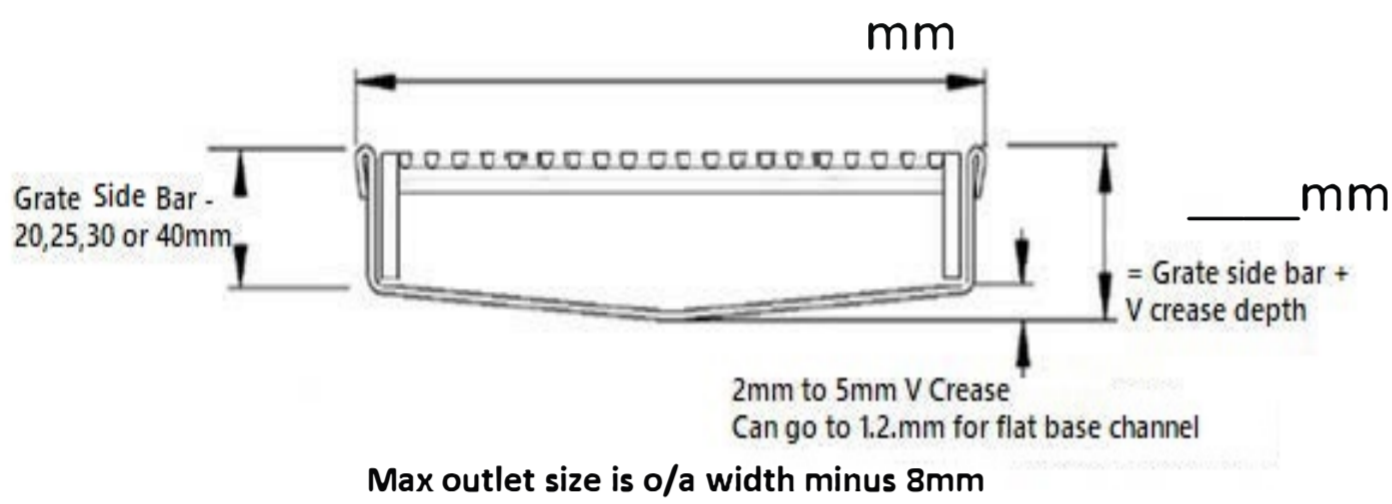




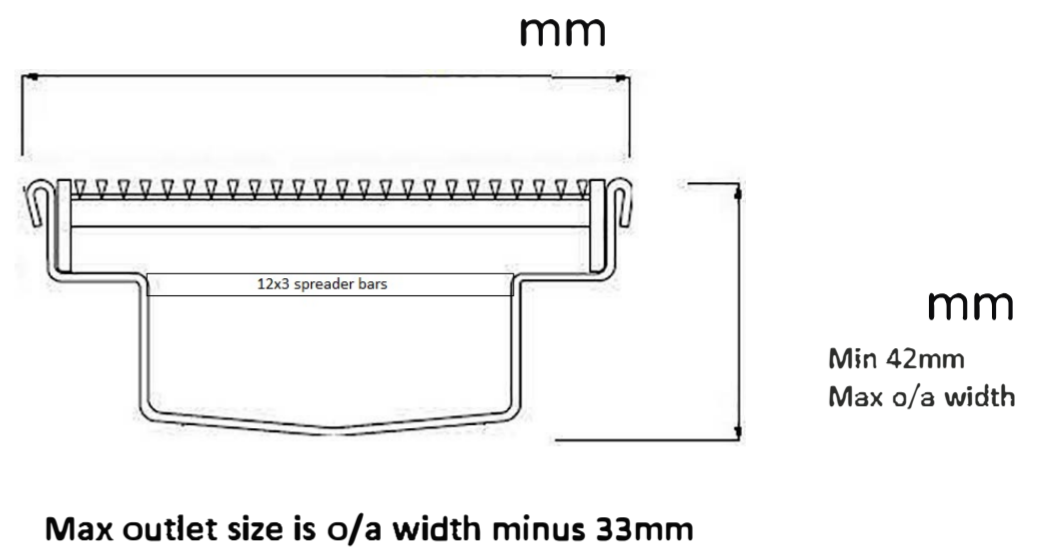
Custom Grate and Channel Order Form / Quote Form

Specify profile, width and depth

U shape profile Min 22mm deep
Max 45mm deep



Rebate Profile

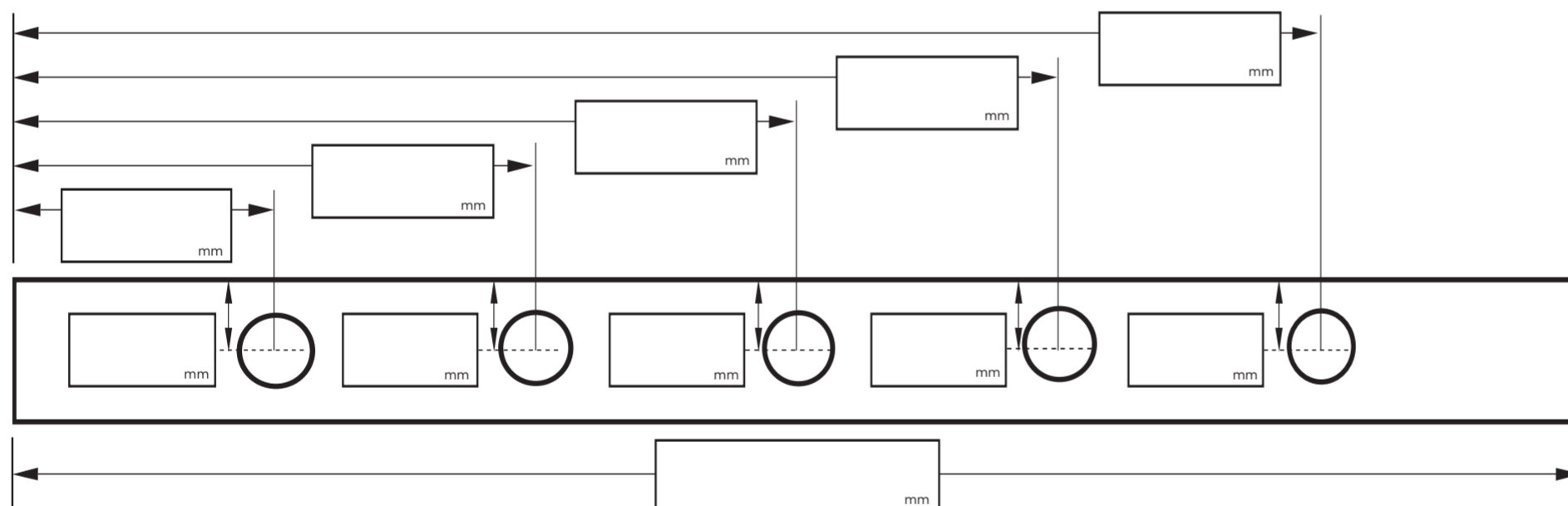


Specify Grate Profile

- 2mm wire, 2.5mm gap (up to 150mm Wide / load class A only)
- 3mm wire, 5mm gap (up to 150mm Wide / load class A only)
- 5mm wire, 5mm gap
- GRATE GRIP Slip Resistant Finish (5mm wire x 5mm gap dimple finish)

Note: Load Class B & C available in 5mm wire / 5mm gap Only

Specify Length, Outlet size, Outlet position, Load Class And SS Grade Drain 1



Steel Grade Required

- 316 Grade
- 304 Grade

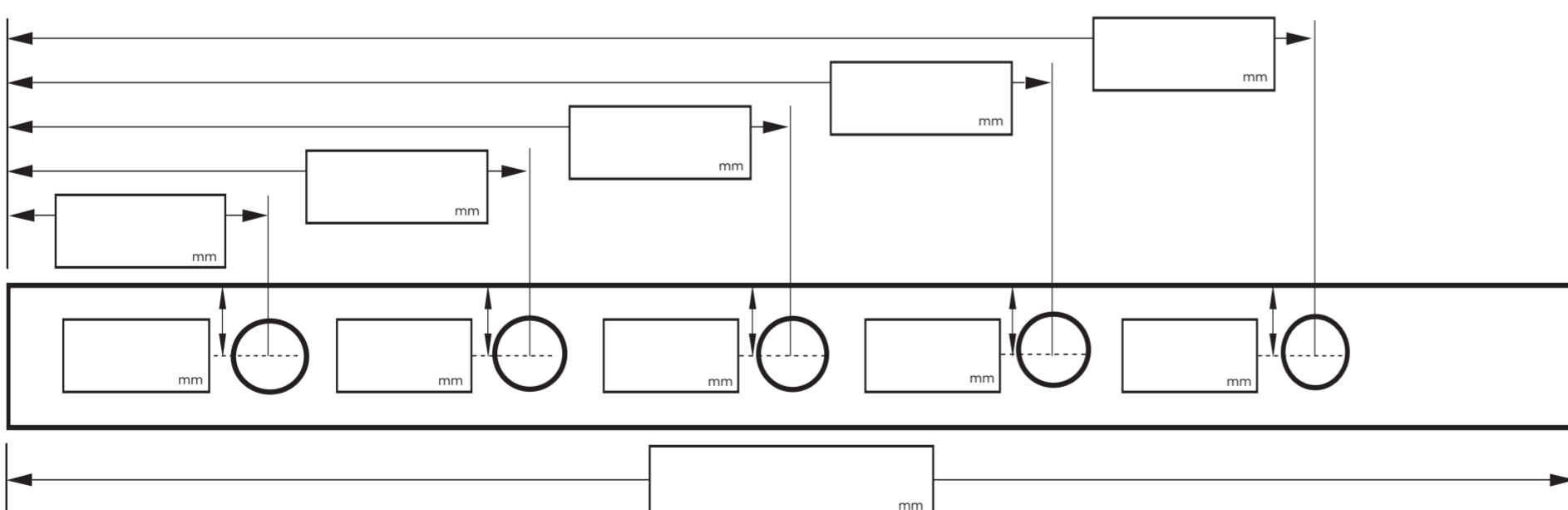
Load Class

- A**
- B**
- C**

Outlet Size

- 38mm
- 44mm
- 51mm
- 63mm
- 76mm
- 89mm

Drain 2



Steel Grade Required

- 316 Grade
- 304 Grade

Load Class

- A**
- B**
- C**

Outlet Size

- 38mm
- 44mm
- 51mm
- 63mm
- 76mm
- 89mm

NOTE: See AS3500 standard & local regulator for specific outlet/drain requirements. Outlet Size must be smaller than selected Range. Stainless Steel Grade is 316 unless specified. Made-to-Length (MTL) minimum charge of 800mm. Channels over 3000mm are supplied in multiple sections with joiner. Orders received after 11am are processed next working day. +/- 2mm tolerance on dimensions.

Full Name

Company Name

Telephone

Email Address

Order Number Stormtech Quote Number

Signature