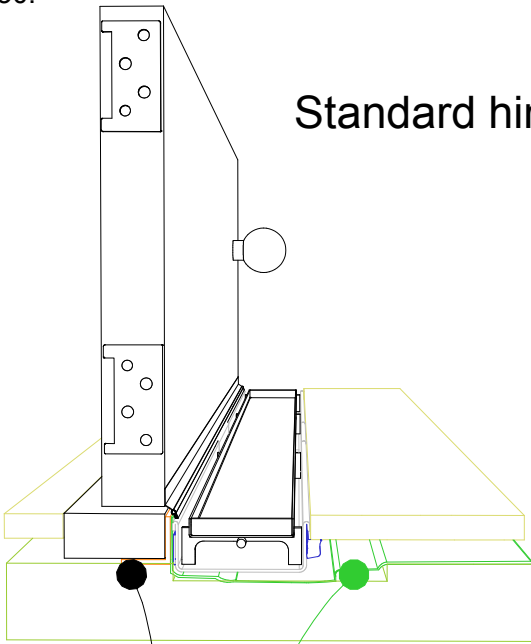


# 65Tii25/30 MTL & CO Threshold installation suggestion

For 65TRTii25MTL, 65TRTiiCO25, 65Tii30MTL  
65TiiCO30.



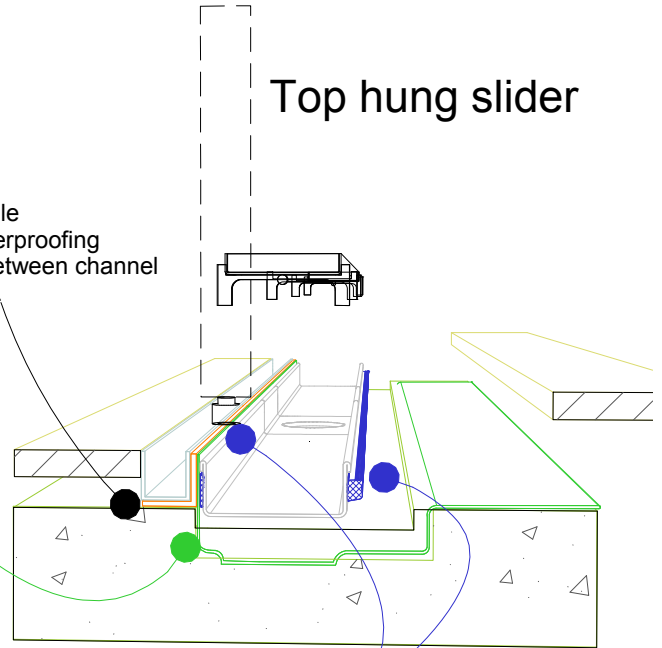
## Standard hinged door



Aluminium angle to support waterproofing and junction between channel and door sil.

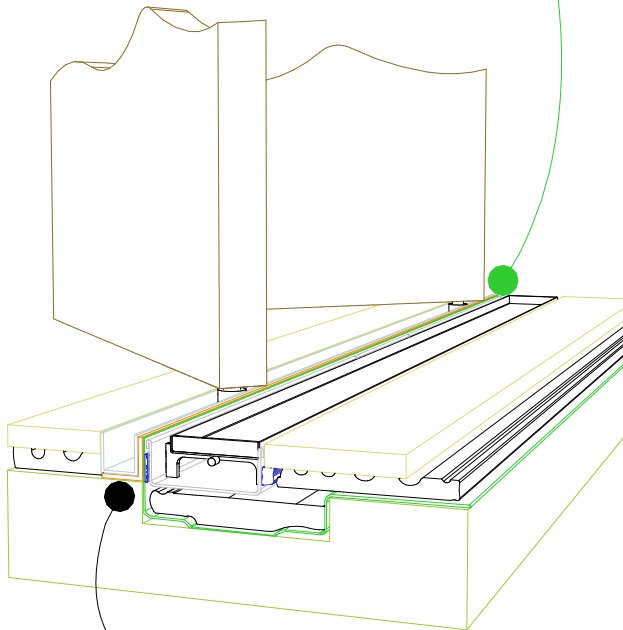
## Top hung slider

Aluminium angle to support waterproofing and junction between channel and door track.



## Waterproofing

## Bi-fold door



Aluminium angle to support waterproofing and junction between channel and door track.

For all types of threshold installation ensure both sides of the channel are sealed before laying tile.

**NOTE, ALWAYS ensure the waterproofing is completed before laying the Stormtech.**

NOTE, ensure weather strip is used on the appropriate side of the door to ensure drafts and moisture are minimised.

